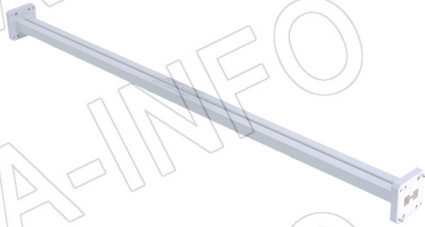


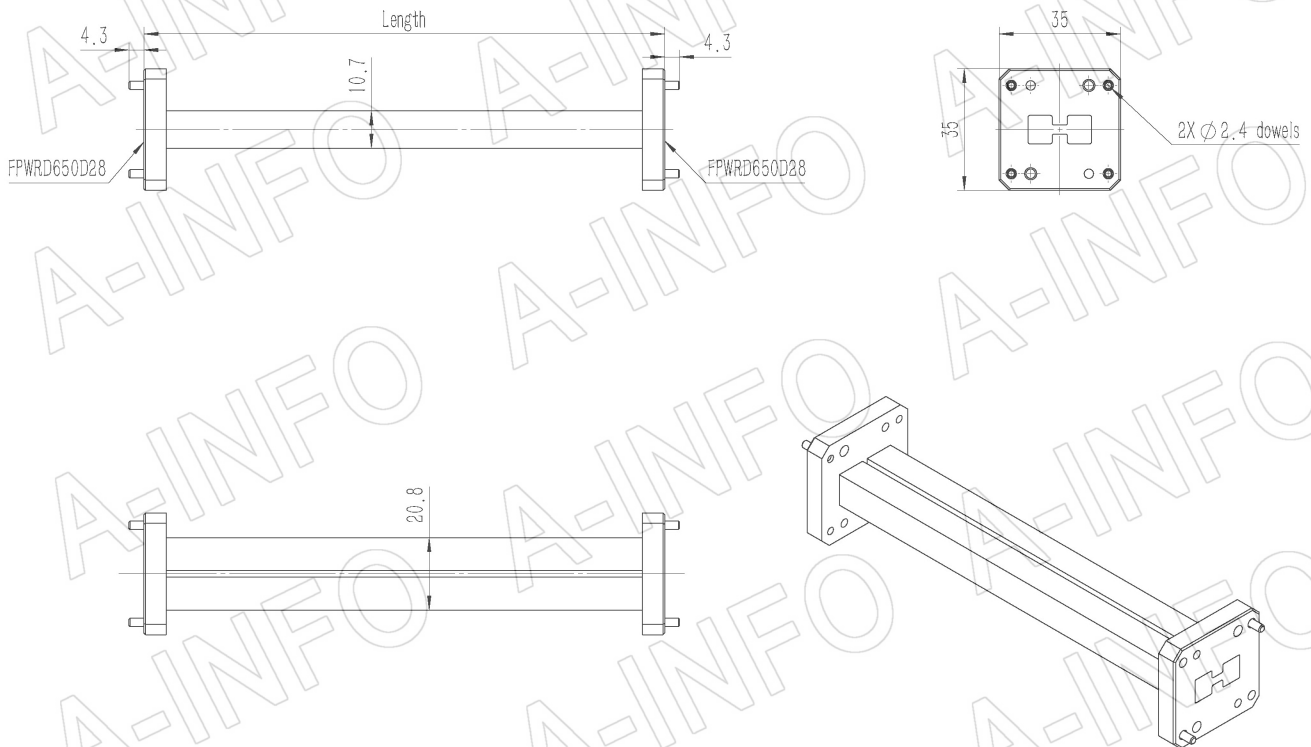
For reference only. See data sheet for the detailed specifications.

Technical Specification

EIA WRD	WRD650
Frequency Range(GHz)	6.5 – 18.0
Length(mm)	500
Insertion Loss(dB)	0.25 Max.
VSWR	1.15:1 Max.
Flange	FPWRD650D28
Material	Cu
Finish	Sliver Plated, Gray Paint
Size(mm)	500 x 35 x 35
Net Weight(Kg)	0.48 Around



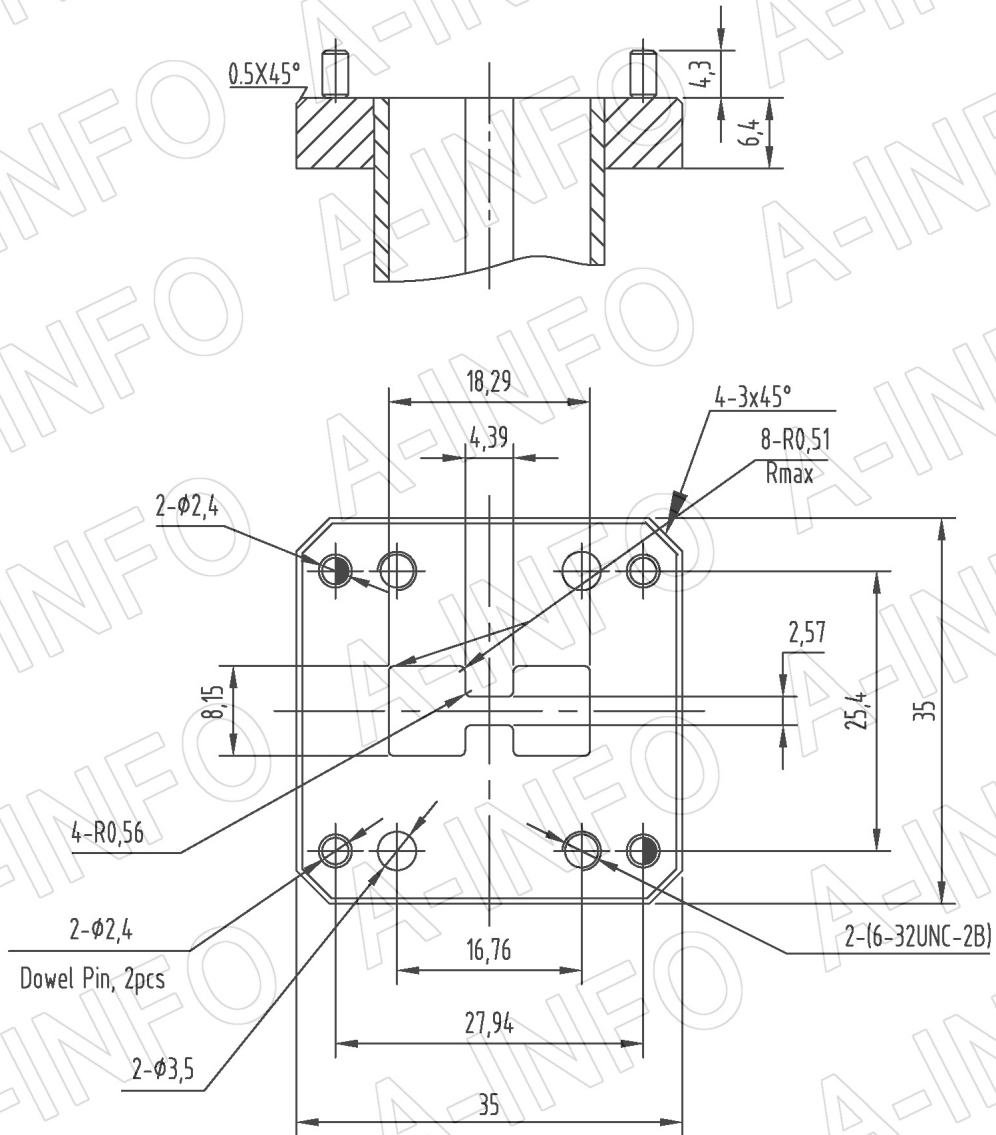
Outline Drawing (Size: mm)



Flange Drawing (Size: mm)

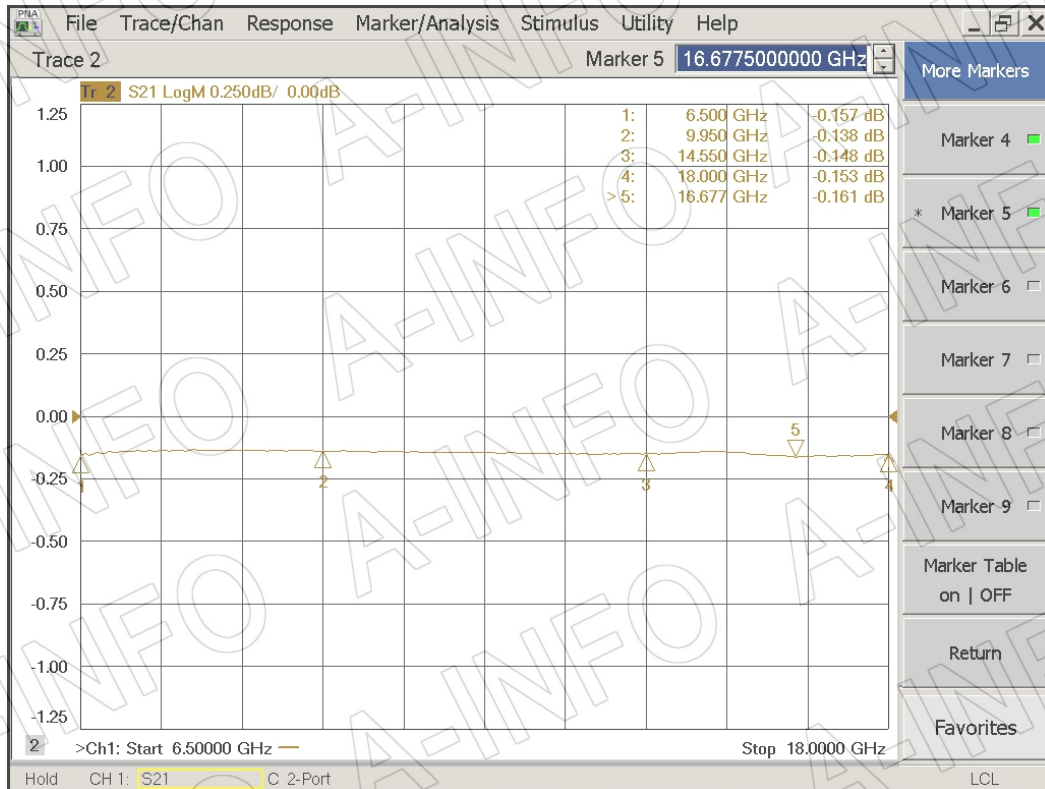
FPWRD650D28

(With two through mounting holes and two screws holes)



Test Results

I.L.



VSWR

